



**FlexFit**  
1537, 1529 and 2045

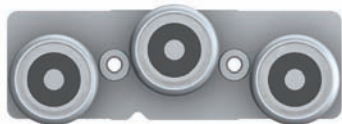


Thomas Regout International B.V. offers a broad range of linear motion solutions that help move your application in any direction: horizontal, vertical or diagonal.

Challenge us, in any way. We will present an innovative and integrated total solution, completely adapted to your specific needs and demands. In our own R&D department we design innovative sliding and linear motion systems. Incorporating the highest ISO international and environmental standards that ensure that our products and services are safe, reliable, sustainable and of high quality.

## FlexFit 1537, 1529 and 2045

The FlexFit guide is a combination of a profile and a carrier that enables multiple linear motion options. Our linear guides are uniquely designed for an easy and fast installation. These ready to use products are made of high quality components to guarantee a long service life. The FlexFit linear guides are typically used in vending and self-checkout machines, special vehicles and tooling cabinets.

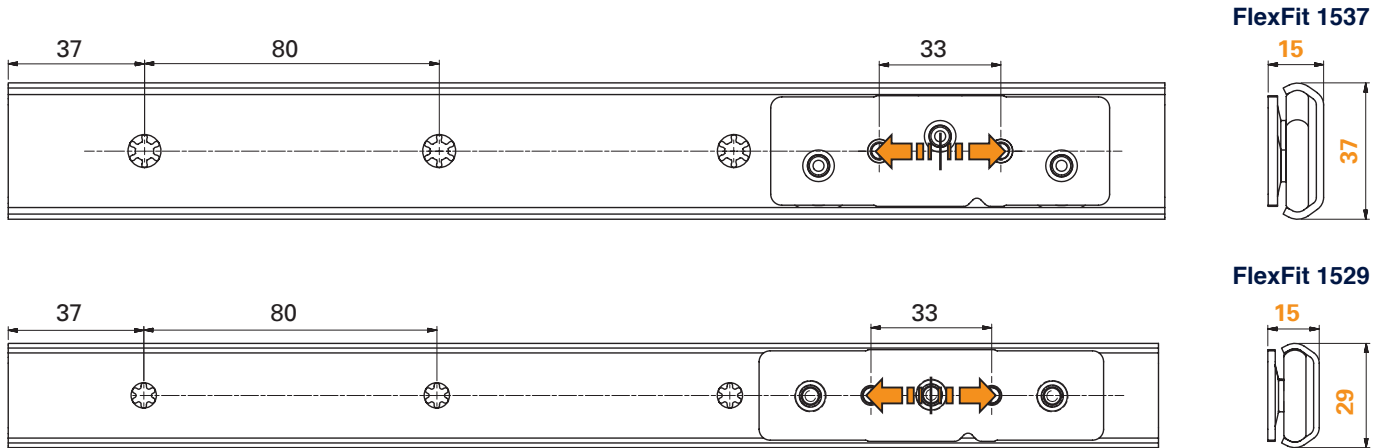


### features and benefits

- 1 Ready to use product (no adjustment of carrier needed)
- 2 No play in guidance during lifetime
- 3 Easy and fast installation
- 4 Smooth movement
- 5 Available in 3 and 5-wheel carriers
- 6 Available in steel and stainless steel
- 7 Customized fixations possible
- 8 Easy pairwise application
- 9 Endstops available
- 10 Horizontal, vertical & diagonal movement
- 11 Competitive price/quality ratio



## Technical specifications



	FlexFit 1537	FlexFit 1529	FlexFit 2045
		in development	in development
Width	37 mm	29 mm	
Thickness	15 mm	15 mm	
Length carrier	92 mm	92 mm	
Length profile	Standard 2.4 m (customer specific available in all lengths)	Standard 2.4 m (customer specific available in all lengths)	
Travel	Minimum 80 mm	Minimum 80 mm	
Load capacity (3 wheel carrier)	Radial 800N Axial 350N	Radial 500N Axial 200N	
Service life	50.000 cycles (100 km at max load capacity)	50.000 cycles (100 km at max load capacity)	
Weight 3 wheel carrier	0.11 kg	0.09 kg	
Weight 5 wheel carrier	0.18 kg	0.14 kg	
Weight profile	0.76 kg/m	0.5 kg/m	
Material carrier	Stainless steel (AISI 304)	Stainless steel (AISI 304)	
Material profile	Stainless steel Steel (up to 96 hours before zinc corrosion)	Stainless steel Steel (up to 96 hours before zinc corrosion)	
Fixation carrier	2*M5 threaded hole at pitch 33 mm	2*M5 threaded hole at pitch 33 mm	
Fixation profile	M5 countersunk at pitch 80 mm (fixing recommendation DIN 7991)	M5 countersunk at pitch 80 mm (fixing recommendation DIN 7991)	





---

**Thomas Regout International B.V.**

Industrieweg 40  
6219 NR Maastricht  
The Netherlands

T. +31 (0)43 351 66 66

F. +31 (0)43 351 66 99

E. [sales@tregout.nl](mailto:sales@tregout.nl)

---

[www.thomasregout.com](http://www.thomasregout.com)

